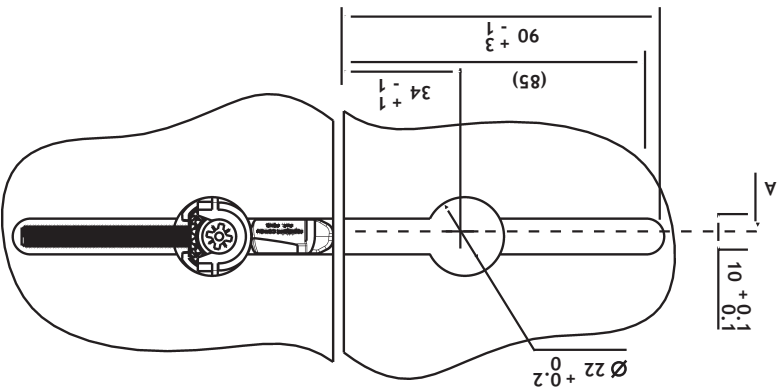
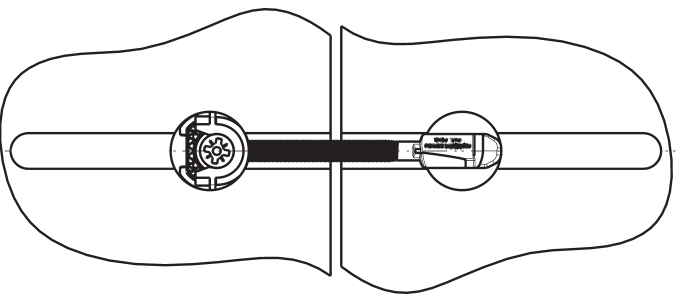


RJ2 PRE-INSTALLED BENCHTOP CONNECTOR USER INSTRUCTIONS

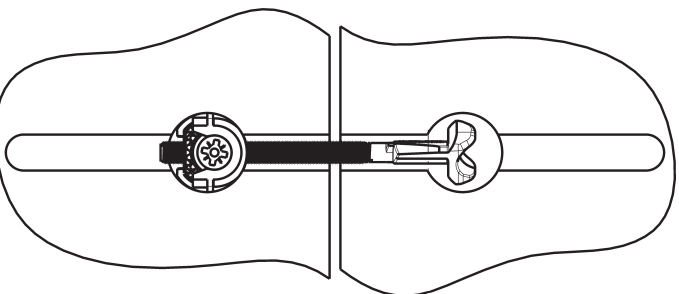
TOOLS REQUIRED: • Drill • Router • 10mm Router Bit • 22mm Forstner bit or Spade bit • Measure Rule and Pencil. Can be tightened with a No.2 or 3. Phillips Head, 4mm Alan Key or Flat Head Screwdriver.



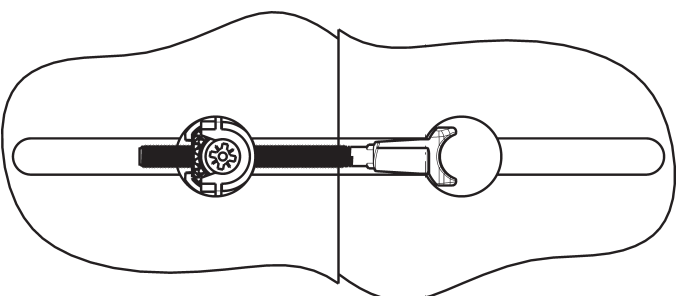
Turn clutch on. Place drill in reverse position.



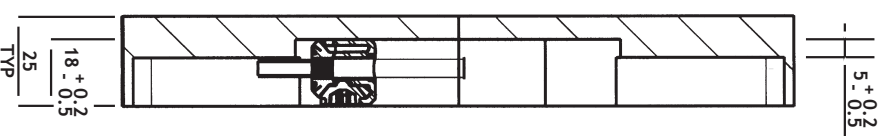
Place drill with desired bit into recess and reverse until head reaches opposing cavity.



Place drill into forward position & begin tightening.



Check join for accuracy and complete tightening.



Free Call 1800 067 050